

Betriebsanleitung
Operating Instructions
Instructions de service
Istruzioni d'uso
Handleiding
Instrucciones para el manejo
Manual de instruções
Naudojimosi instrukcija
Kasutusjuhend
Lietošanas instrukcija
Driftsinstruks
Driftsinstruktioner
Käyttöohje
Driftsvejledning
Instrukcja obsługi

Kezelési útmutató
Нáвод k obsluze
Navodilo za uporabo
Нáвод на obsluhu
Upute za rad
Manual de operatii
Treoracha Oibriúcháin
Οδηγίες χρήσης
Ei Kitabi
Инструкция за експлоатация
Инструкция по эксплуатации
取扱説明書
사용설명서
使用说明书

U 4.40

2006/42/EG




DIN EN ISO 14001:2005




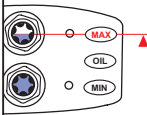
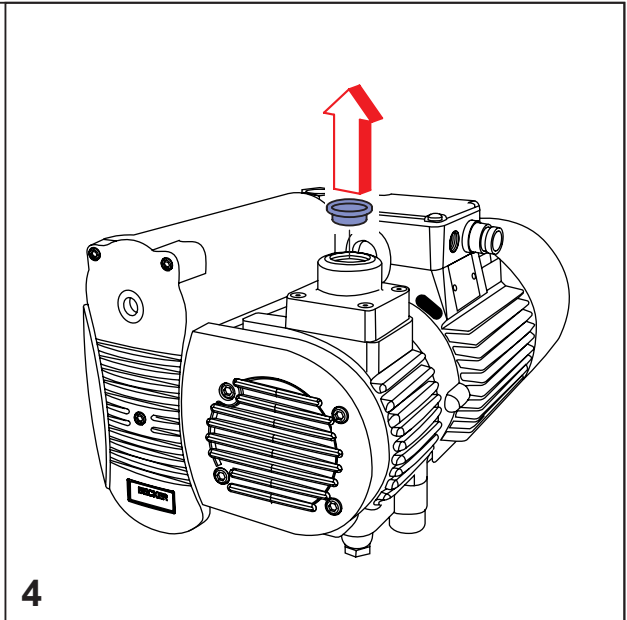
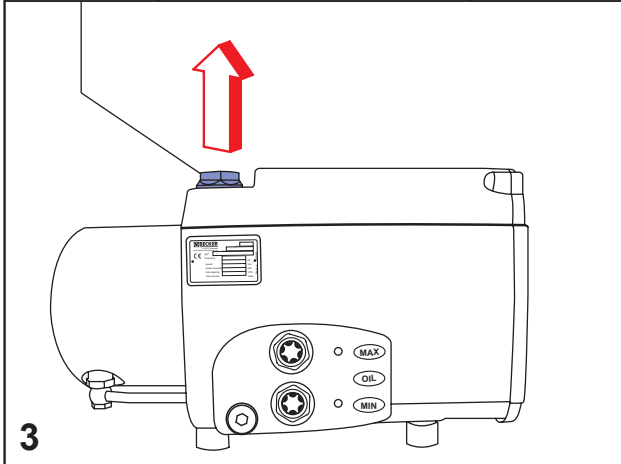
DIN EN ISO 9001
001929 QM




	<p>Becker Lube M/S/SL 100 ▷ 1,0 Liter</p>	<p>MAX. VACUUM</p>	<p>mbar</p>
			<p>m³/h</p>
<p>AIR</p>		<p>DIN EN ISO 3744</p> <p>STANDARD</p>	<p> $L_{pA} = 69 \text{ dB(A)} - 50\text{Hz}$ $L_{pA} = 71 \text{ dB(A)} - 60\text{Hz}$ $K_{pA} = 3 \text{ dB(A)}$ </p>

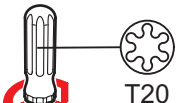
	<p> $A > 100\text{mm}$ $A > 4"$ </p>	<p> $> 5^\circ\text{C}/41^\circ\text{F}$ $< 40^\circ\text{C}/104^\circ\text{F}$ </p>	<p>max. 90%</p>	<p>max. 800m</p>
<p>1</p> <p>38,0 kg 83,8 lbs</p>	<p>2</p>			

 **Becker Lube M 100 (Mineral oil)**
 ▷ No.: 96000900000 (1l)
Becker Lube S 100 (Synthetic oil)
 ▷ No.: 96001600100 (1l)
Becker Lube SL 100 Food
 ▷ No.: 96002300100 (1l)


 **1,0 Liter**

 **T20**

5

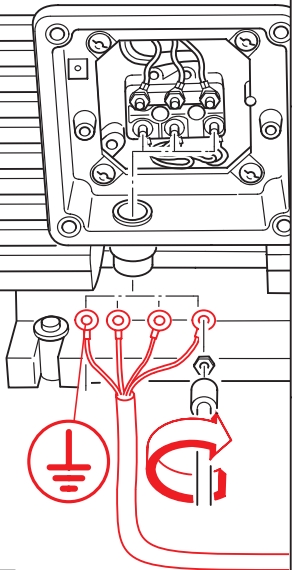
 **+**

BECKER Mat.Nr. XXXXXX ENXXXX CE
 3~Mot. XXXXXXXX
 NoUp. XXXXXX xx

50 Hz	XXKW	60 Hz	XXKW
XXX-XXX / XXX-XXX V Δ / Y	XXX-XXX / XXX-XXX V Δ / Y	XXX-XXX / XXX-XXX V Δ / Y	XXX-XXX / XXX-XXX V Δ / Y
XX-XX / XX-XX A	XX-XX / XX-XX A	XX-XX / XX-XX A	XX-XX / XX-XX A
cos φ 0,XX-0,XX	cos φ 0,XX-0,XX	cos φ 0,XX-0,XX	cos φ 0,XX-0,XX
XXXX-XXXX /min	XXXX-XXXX /min	XXXX-XXXX /min	XXXX-XXXX /min

XX kg

6



L1 L2 L3

U1 V1 W1


M 3~

optional

PTC **M 3~**

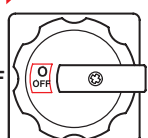
Bi-metal **M 3~**

7



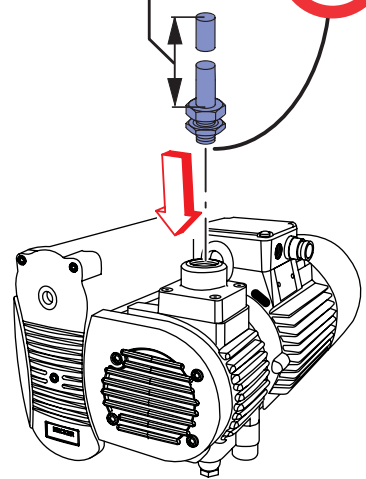
MAX. 10x /h

0 = OFF **I = ON**



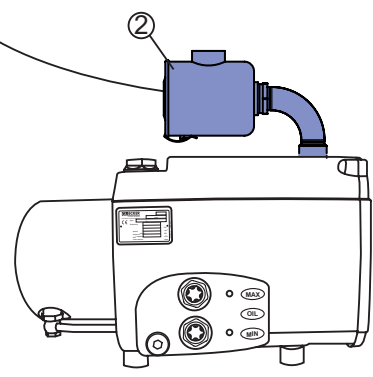
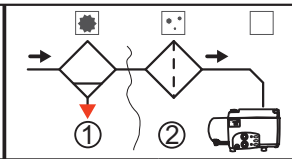
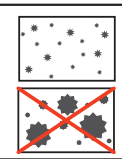
8

< 2m $\phi 1''$
 > 2m...10m $\phi 1\frac{1}{2}''$



9

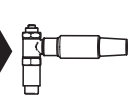
optional
 en option
 optionale
 opcional



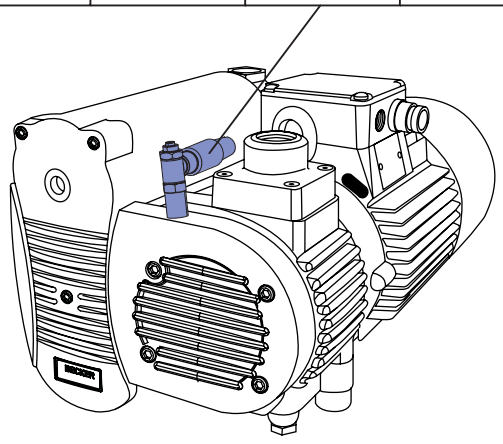
10



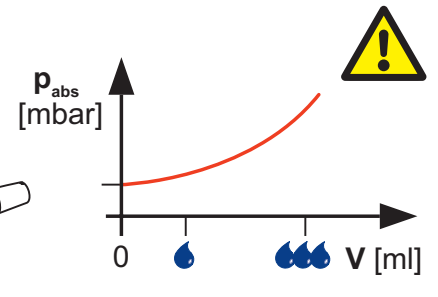
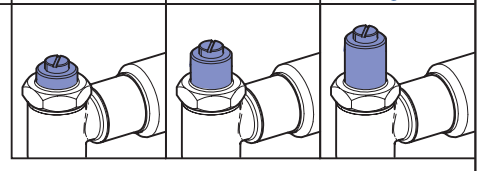
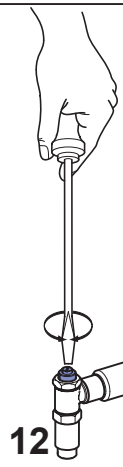
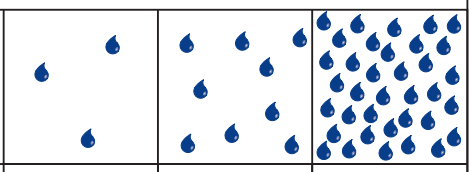
? AIR



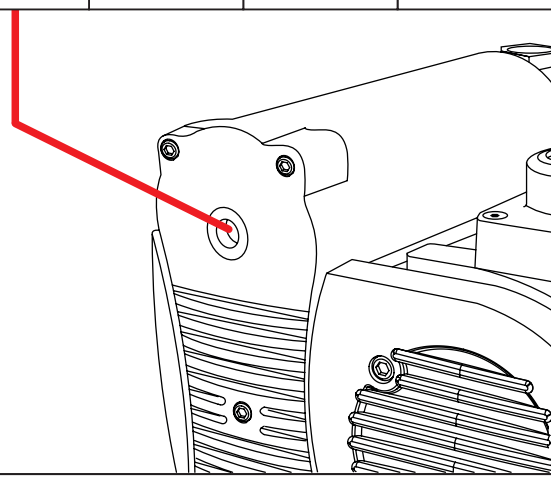
optional
 en option
 optionale
 opcional



11



12



13

A.

B.

C.

MAX
MIN

40 h

Becker Lube
M/S/SL 100

D.

E.

1. = 100 h
2. = 500 h
3. = 1.000 h
... (min. 2x/a)

Oil

10

F.

Becker Lube M 100 (Mineral oil)
▷ No.: 96000900000 (1l)
Becker Lube S 100 (Synthetic oil)
▷ No.: 96001600100 (1l)
Becker Lube SL 100 Food
▷ No.: 96002300100 (1l)

1,0 Liter

40 - 200 h **AIR ?**

G.

1000 h

1. 2.

H.

2000 h

5

I.

Pos. 58
No.: 96541400000

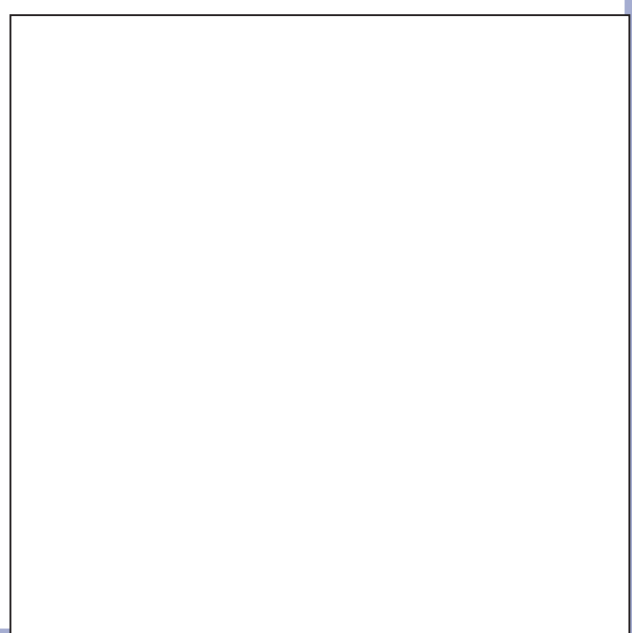
Pos. 58

1. 2.

J.

Clean

K.



The illustration shows a technician wearing a hard hat and safety glasses, holding a magnifying glass over a large question mark. To the left is a multi-language manual with the BECKER logo and various icons. To the right is a large blue 'i+' information icon. Below the technician is a globe and the website address www.becker-international.com.



Gebr. Becker GmbH
Hölker Feld 29-31
D-42279 Wuppertal
info@becker-international.com

A world map is shown in the background. Overlaid on the map is the word **SERVICE** in large, bold, black letters. Below the map, the website www.becker-international.com and the text 'Sales and service network' are displayed.